

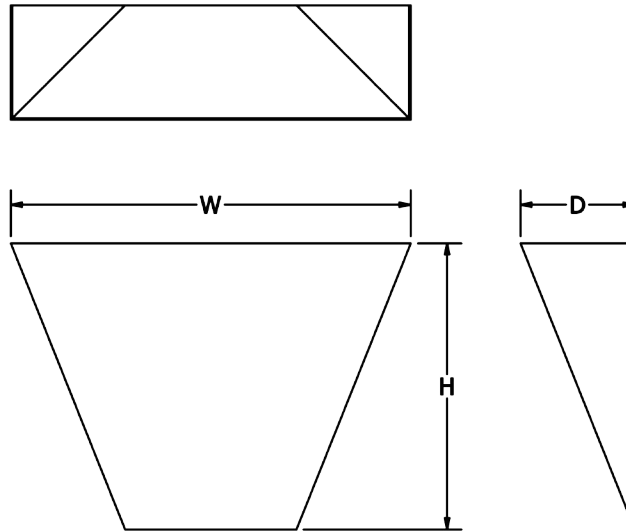
GL-4505

# BATTEN



# BATTEN

Indoor ADA Sconce



## GENERAL SPECIFICATION

**Lamping:** Standard lamping packages offer long lamp life, high power factor energy efficient electronic ballast.

**Body:** Formed 18ga steel or .050 aluminum body.

**Acrylic:** UL-94 HB Flame Class rated.

**Standard Finishes:** Highly durable oven cured no VOC premium powder coat.

**Custom:** Contact factory for custom lamping, or sizing.

**LED:** 13W 3500K >80CRI white LED.

**Driver:** Powered by 350mA driver.

Driver mounted in 4" square by 2 1/8" deep junction box:  
Steel City #52171 or equivalent (supplied by others)

SAMPLE CATALOG NUMBER:				
GL-4505-				
		B-	NSN-	A
MODEL NO.		LAMPING	FINISH	OPTION(S)
GL-4505	W in 14" mm 355 H in 10" mm 255 D in 4" mm 100	B. 2CFQ13 C. 2CFQ18 D. 2CFQ26 E. LED	<b>Standard:</b> Powder Coat Specify code from G-Lighting color chart.	A. No Options B. Top White Perf E. Emergency Operates one fluorescent lamp. Remotely mounted. Specify voltage after code. Remote mount up to 5' from lamps.

All dimensions are nominal.

## Lamp Definition

Lamp	Fluorescent	Lamp Base	Rated Life Hrs	Lumens
CFQ13	CFQ 13W	GX24q-3 4-PIN	12000	900
CFQ18	CFQ 18W	GX24q-3 4-PIN	12000	1250
CFQ26	CFQ 26W	GX24q-3 4-PIN	12000	1440
	<b>LED</b>	<b>CRI</b>		
LED	13W	80	50000	1360