



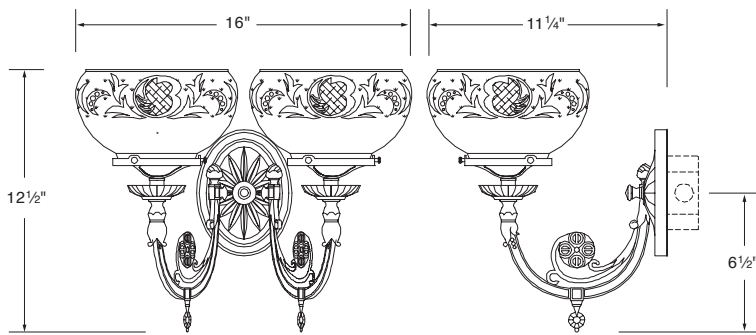
Missouri
G-62106-M-C



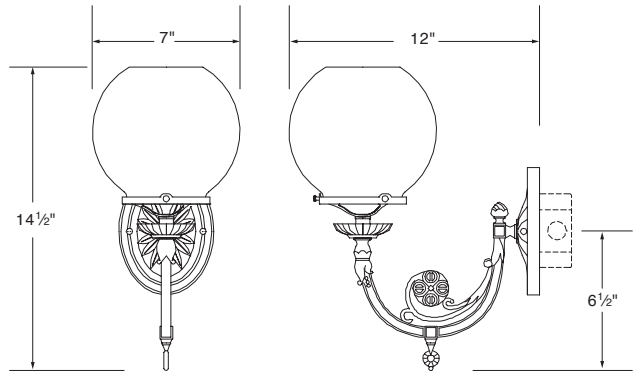
California
G-62107-O-A

World's Fair Sconces

9777 Reavis Park Drive • St. Louis, MO 63123
Toll Free: (800) 331-2425 • Phone: (314) 631-6000 • Fax: (314) 631-7800
Email: sales@glighting.com • Web: www.glighting.com

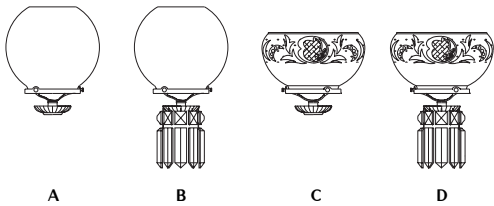


Missouri
G-62106



California
G-62107

Shade / Lamping Options



Description	Code
7" diameter White Opal Glass- Medium Base-60 Watt Max. A-19	A
Same as above with Colonial Prisms	B
7" diameter Acid-Etched Glass Shade- Candelabra Base-60 Watt Max. B-10	C
Same as above with Colonial Prisms	D

Finishes

Standard Painted Finishes		Code	Code
Satin Black	A	Light Bronze	G
Reflector White	B	Dark Bronze	H
Painted Aluminum	C	Painted Antique Brass	I
New Satin Nickel	D	Gray Granite	J
Faux Rust	E	Light Verdigris	K
Beige	F	Sungold	L
Standard Metallic Finishes			
Polished Brass	M	Antique Brass	O
Satin Brass	N	Brushed Aluminum	P
Premium Finishes (Check with factory for price & availability)			
Polished Nickel	Q	Satin Chrome	U
Satin Nickel	R	Flemish Brass	V
Antique Nickel	S	Polished Copper	W
Polished Chrome	T	Antique Copper	X
		Oil Rubbed Bronze	Y

Matching Pendant: World's Fair Dome

How To Specify

To specify a Missouri Sconce with 7" Diameter White Opal Glass Shades and Colonial Crystals in an Antique Brass Finish:

G-62106-B-0

