

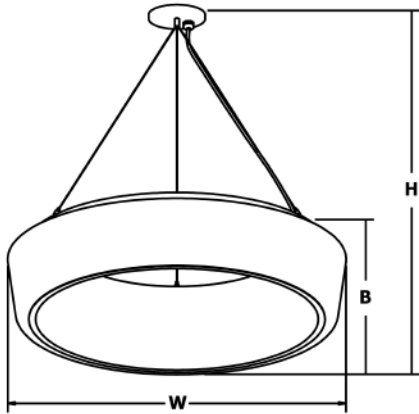
HELIO - QUICKSHIP

Outer Acrylic Interior Pendant

GLighting
Since 1908

9777 Reavis Park Drive
St. Louis, MO 63123
800.331.2425 or 314.631.6000
Fax 314.631.7800

sales@glighting.com www.glighting.com



GENERAL SPECIFICATION


LED: High efficiency mid-power LEDs are field serviceable.

LED Dimming: 0-10V dimming standard.

Acrylic: Satin white seamless outer acrylic is UL-94 HB Flame Class rated.

Cable Hung: Comes with 150" cable and cord for on-site adjustability. Canopy painted textured white.

Finish: Highly durable oven cured no VOC premium powder coat. Fixture painted textured white.

SAMPLE CATALOG NUMBER: GL-2651-				B-	1-	A
MODEL NO.				LAMPING	HANGER	OPTIONS
GL-2651	W in 37 1/2"	mm 950		C. 6LED30 B. 6LED35 E. 6LED40	1. Cable 	A. No Options
	30lbs B in 8 1/2"	mm 215				
	13.5kg H in 20"-150"	mm 510-3810				
Fixture Painted Textured White						

All Dimensions are nominal.

Lamp Code Definition

Code	Total Wattage	CRI	Rated Life Hrs	Delivered Lumens	Kelvin
6LED30	85	+80	50000	6374	3000
6LED35	85	+80	50000	6374	3500
6LED40	85	+80	50000	6374	4000