

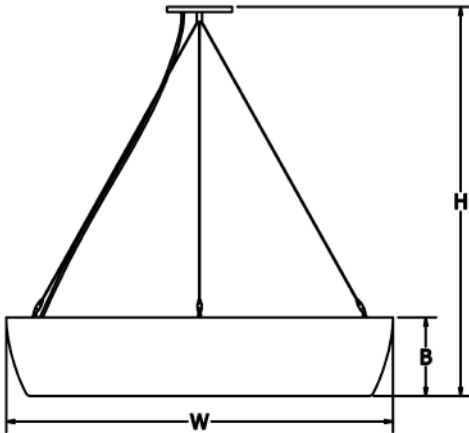
SELENE

Inner Acrylic Interior Pendant

G Lighting
Since 1908

9777 Reavis Park Drive
St. Louis, MO 63123
800.331.2425 or 314.631.6000
Fax 314.631.7800

sales@glighting.com www.glighting.com



GENERAL SPECIFICATION

Lamping: Standard lamping packages offer long lamp life, high power factor energy efficient electronic ballast.

LED: High efficiency mid-power LEDs are field serviceable.

LED DIMMING: 0-10V dimming standard with LED lamping option.

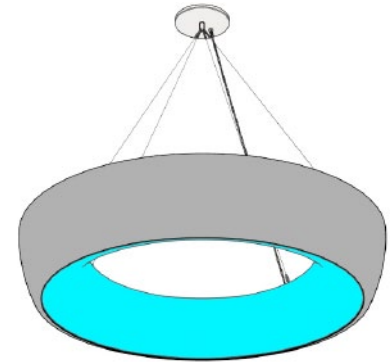
Acrylic: Seamless satin white inner acrylic is UL-94 HB Flame Class rated.

Cable Hung: Comes with 72" cable and cord for on-site adjustability. Canopy painted textured white.


Body: Ring spun in 1/8" aluminum.

Finish: Highly durable oven cured no VOC premium powder coat.

RGB: DMX controller supplied by others.



RGB LED Lamping Option

| SAMPLE CATALOG NUMBER: GL-2581- | | B- | PTC- | 1- | A- |
|--|--|---|---|--|--|
| MODEL NO. | | LAMPING | FINISH | HANGER | OPTIONS |
| GL-2580 W in 26" mm 660 20lbs B in 7 1/2" mm 190 9kg H in 20"-68" mm 510-1730 Fixture supplied with 72" of cord and cable. Adjust on-site. Minimum 20" OAH. Contact factory for OAH greater than 68". | | L. 6LED30 M. 6LED35 N. 6LED40 K. RGB | Standard: Powder Coat Specify code from G-Lighting color chart | 1. Cable  | A. No Options D. Dimming DALI digital dimming available. See dimming chart. E. Emergency Ballast Integrally operates one fluorescent lamp. Specify voltage after code. Available GL-2581 only. EL. Emergency Ballast Integrally operates two LED strips. Integral test switch. Specify voltage after code. Available GL-2581 only. |
| GL-2581 W in 37" mm 940 30lbs B in 7 1/2" mm 190 13.5kg H in 20"-68" mm 510-1730 Fixture supplied with 72" of cord and cable. Adjust on-site. Minimum 20" OAH. Contact factory for OAH greater than 68". | | C. 6CF39 I. 8LED30 B. 8LED35 J. 8LED40 D. RGB | | | |

All Dimensions are nominal.

Lamp Code Definition

| Code | Total Wattage | CRI | Rated Life Hrs | Delivered Lumens | Kelvin | Code | Fluorescent | Lamp Base | Rated Life Hrs | Rated Lumens |
|--------|---------------|-----|----------------|------------------|--------|------|-----------------------------|-----------|----------------|--------------|
| 6LED30 | 85 | +80 | 50000 | 5362 | 3000 | CF39 | CF 39W | 2G11 4PIN | 12000 | 2510 |
| 6LED35 | 85 | +80 | 50000 | 5362 | 3500 | RGB | Contact Factory for Details | | | |
| 6LED40 | 85 | +80 | 50000 | 5362 | 4000 | | | | | |
| 8LED30 | 113 | +80 | 50000 | 6669 | 3000 | | | | | |
| 8LED35 | 113 | +80 | 50000 | 6669 | 3500 | | | | | |
| 8LED40 | 113 | +80 | 50000 | 6669 | 4000 | | | | | |