

# NEW YORK

## Schoolhouse Pendant

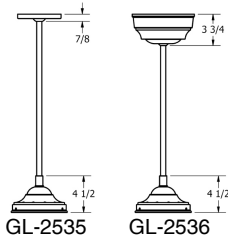
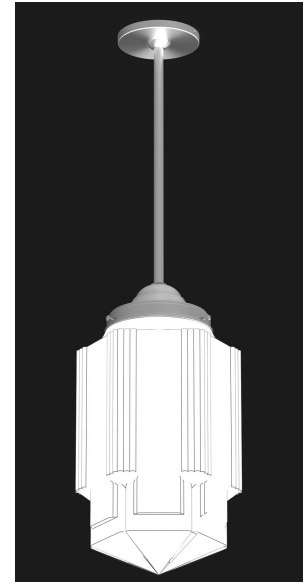
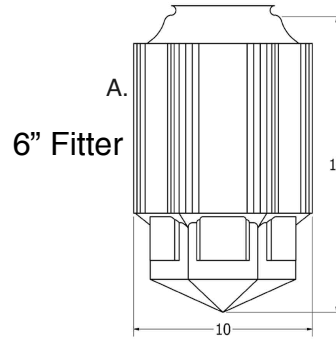


9777 Reavis Park Drive  
St. Louis, MO 63123  
800.331.2425 or 314.631.6000

sales@glighting.com www.glighting.com

### GENERAL SPECIFICATION

- LED:** High efficiency mid-power LEDs are field serviceable.
- LED Dimming:** Standard 1% 0-10V dimming. TRIAC, DALI, or DMX available upon request.
- Canopy:** May be mounted on flat or sloped ceilings up to 40°.
- Body:** 18ga steel or .050 aluminum glass fitter.
- Glass:** White opal diffuser hand blown in the USA.
- Modifications:** Consult factory for lamping or cluster options.
- Finish:** Highly durable oven cured no VOC premium powder coat.
- Surge Protection:** External surge protector provided as standard.



SAMPLE CATALOG NUMBER:					
GL-2536-	W5-	A-	NSN-	A-	036
MODEL NO.	LAMPING	GLASS	FINISH	OPTION(S)	OVERALL HEIGHT
<b>GL-2535</b>	IN1. 1MED	6" Fitter: A. 10" x 16"	Standard: Powder Coat BLK-Black BL-Blue GR-Gray LG-Light Gray BE-Beige PAB-Antique Brass PA-Painted Aluminum PTC-Painted Copper WH-White DBZ-Dark Bronze NSN-New Satin Nickel BRN-Brown RD-Red CH-Champagne RG-Reed Green SG-Sungold GM-Gun Metal POR-Oil Rubbed Bronze PG-Pine Green DO-Deep Orange PV-Purple Violet NB-Navy Blue  Textured Powder TLV-Light Verdigris TWH-Textured White TBL-Textured Black TS-Textured Silver TBZ-Textured Bronze TST-Stone	A. No Options B. Damp Location Available in powder coat or Satin Aluminum finish. EL. Emergency LED Remote mount up to 10' from light source in controlled environment with an area temperature range of 32°-131°F. LED only. Specify 120 or 277 voltage.	Specify overall height in inches.
<b>GL-2536</b>	Y0. 11LED30 Y5. 11LED35 Y4. 11LED40 W0. 16LED30 W5. 16LED35 W4. 16LED40				

All dimensions are nominal.

### Light Source Definition

Code	Lamp	Type	Lamp Base	Code	LED	Total Wattage	Delivered Lumens	Kelvin
IN1	Med	A-19	Medium 120V	Y0	11LED30	11	1075	3000
				Y5	11LED35	11	1075	3500
				Y4	11LED40	11	1075	4000
				W0	16LED30	16	1652	3000
				W5	16LED35	16	1652	3500
				W4	16LED40	16	1652	4000

Contact factory for availability of other lamp configurations.

Universal Voltage unless otherwise specified.